

KWT321-15-316

15 Inch Top Mount Workstation Single Bowl
Stainless Steel Outdoor Rated Kitchen Sink

Kräus[®]

SPECIFICATION SHEET

Sink Dimensions

Overall Dimensions: 15" x 15"

Bowl Dimensions: 12" x 11"

Sink Depth: 9"

Features

- 16 Gauge Marine Grade T-316 Stainless Steel Construction
- Single Bowl Top Mount Sink
- Required Minimum Cabinet Size: 18" Left to Right, 18" Front to Back
- Rear Center-Set Drain
- 3 1/2" Drain Opening
- NoiseDefend Undercoating and Sound Dampening Pads

Accessories Included

- Strainer ST-1
- Cover Cap STC-2
- Cutting Board KCB-WS14
- Top Mount Cut-Out Template
- Top Mount Hardware

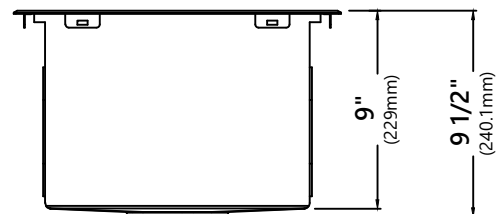
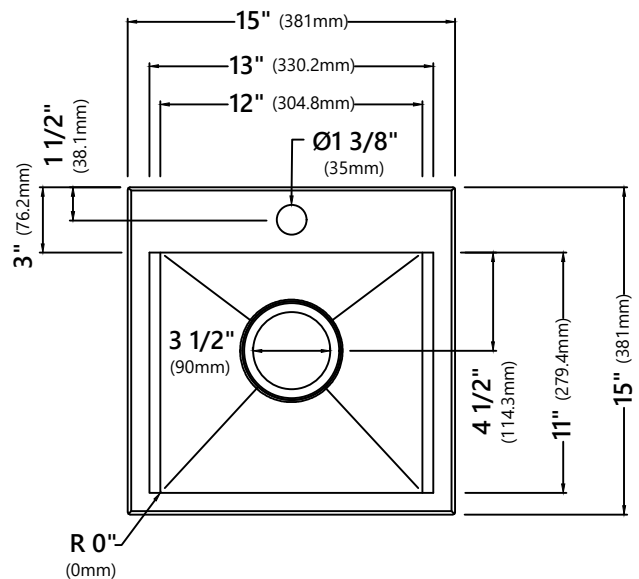
Optional Accessories

- Undermount Cut-Out Template
- Undermount Hardware

CODES/STANDARDS:

Product Certification

cUPC (ASME A112.19.3/CSA B45.4)



NOTE: Maximum countertop thickness for Top Mount installation is 1 1/2".

NOTE: It is not recommended to install this sink with a negative reveal. Doing so will prohibit the use of any workstation accessories as they will not fit.

Warranty

Kraus One Year Limited Warranty

see website for details www.kraususa.com

Kraus USA Customer Service

1.800.775.0703 | customerservice@kraususa.com

REV. October 3, 2021