

# KWT302-33/18

## 33 Inch Dual Mount Workstation Double Bowl Stainless Steel Kitchen Sink

# Kräus<sup>®</sup>

SPECIFICATION SHEET

### Sink Dimensions

Overall Dimensions: 33" x 22"

Bowl Dimensions: 15 3/8" x 16"

Bowl Depth: 9"

### Features

- 18 Gauge Stainless Steel Construction
- Dual Mount Double Bowl Sink
- Required Minimum Cabinet Size: 36" Left to Right, 24" Front to Back
- Rear Off-Set Drain
- 3 1/2" Drain Opening
- NoiseDefend Undercoating and Sound Dampening Pads

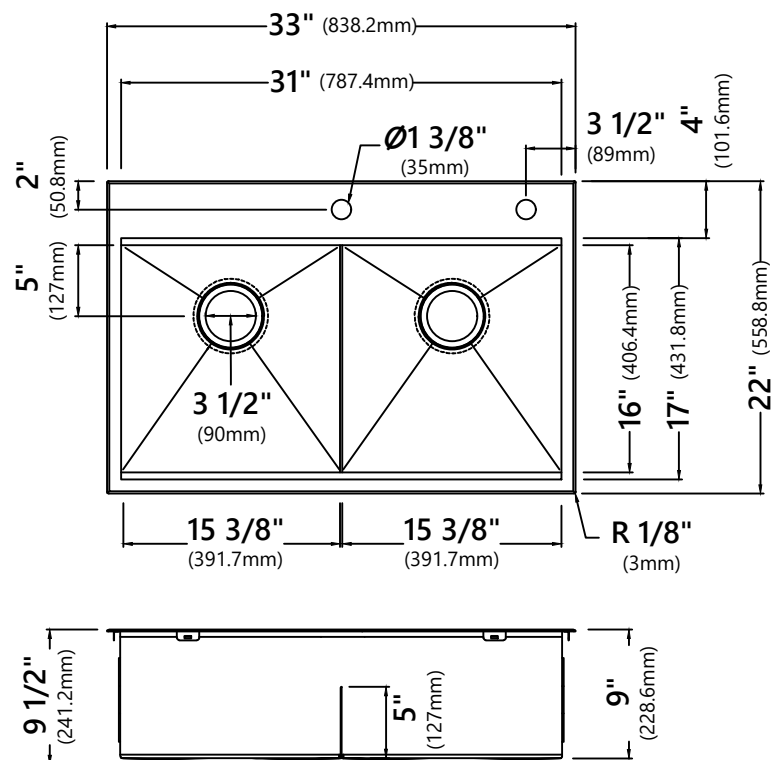
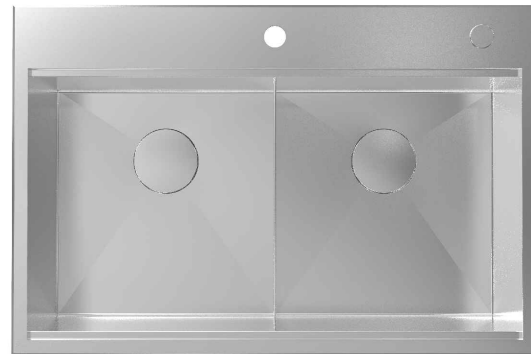
### Accessories Included

- Strainer ST-1 x2
- Cover Cap STC-2 x2
- Bottom Grid KBG-WSU10-33 x2
- Cutting Board KCB-WS103AC
- Rolling Mat KRM-11BL
- Top Mount Cut-Out Template
- Top Mount Hardware
- Undermount Cut-Out Template
- Undermount Hardware

### CODES/STANDARDS:

#### Product Certification

cUPC (ASME A112.19.3/CSA B45.4)



**NOTE:** Maximum countertop thickness for Top Mount installation is 1 1/2".

**NOTE:** It is not recommended to install this sink with a negative reveal. Doing so will prohibit the use of any workstation accessories as they will not fit.

### Warranty

Kraus Limited Lifetime Warranty

see website for details [www.kraususa.com](http://www.kraususa.com)

Kraus USA Customer Service

1.800.775.0703 | [customerservice@kraususa.com](mailto:customerservice@kraususa.com)

REV. January 26, 2021