

KWD200-100

Garbage Disposal

Garbage Disposal Dimensions

Overall Dimensions: 8 5/8" x 10 5/8" x 15 1/4"

Features

- 3 Bolt Install
- 1 Horsepower
- 3800RPM Motor Speed
- Permanent Magnet Motor Type
- 40.6 oz. Grind Chamber Capacity
- Stainless Steel Jam Resistant Grinding System
- Continuous Feed
- Sound Insulated
- Splash Guard
- Sink Stopper
- Anti-Vibration Mount
- Manual Reset Overload
- Connection to Dishwasher
- 1 1/2" Drain Connection
- 7/8" Dishwasher Connection

Specifications

- Voltage 120V 60Hz
- Amperage 7A
- On/Off Control Wall Switch

Available Colors

- Black

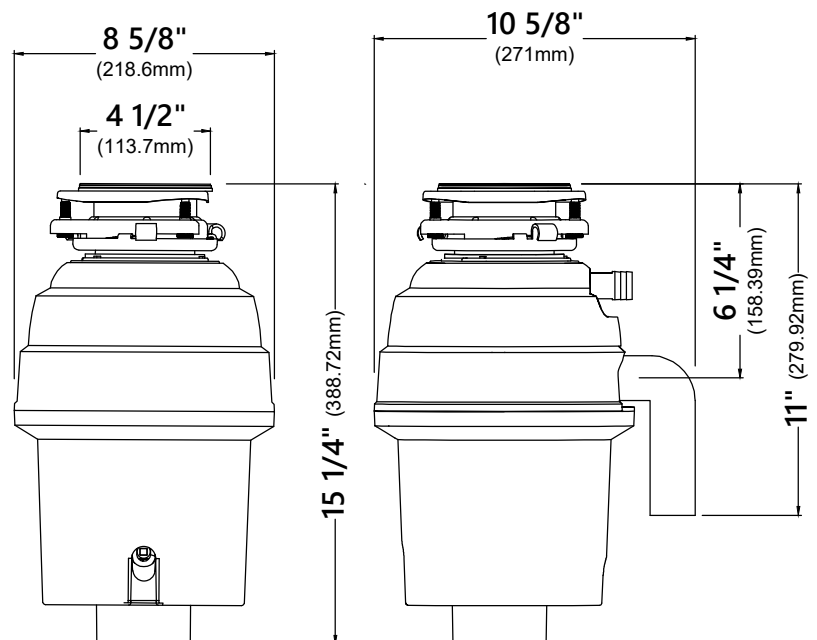
Optional Accessories

- Air Switch KWDA-100
- Garbage Disposal Strainer/Stopper GDC-2, GDC-4
- Garbage Disposal Stopper GDC-1, GDC-3
- Garbage Disposal Adapter GDA-1, GDA-3, GDA-4

CODES/STANDARDS:

Product Certification

cUPC, ETL and ISTA certified



Note: Availability of Kraus Garbage Disposal Accessories may vary based on supply. Universal compatibility with most major brands for quick and easy installation.

Warranty

Kraus Limited 5 Year Warranty

see website for details www.kraususa.com

Kraus USA Plumbing LLC Customer Service

1.800.775.0703 | customerservice@kraususa.com