

KSV-2MW

Composite Bathroom Sink

Sink Dimensions

Overall Dimensions: 19 5/8" x 13 3/4" x 4 7/8"

Bowl Dimensions: 18 5/8" x 12 3/4"

Sink Depth: 4"

Features

- Composite Solid Surface
- Rectangular Vessel Sink
- 1 3/4" Drain Hole Size
- Without Overflow

Available Colors

- Matte White

Accessories Included

- Sponge
- Buffing Paper

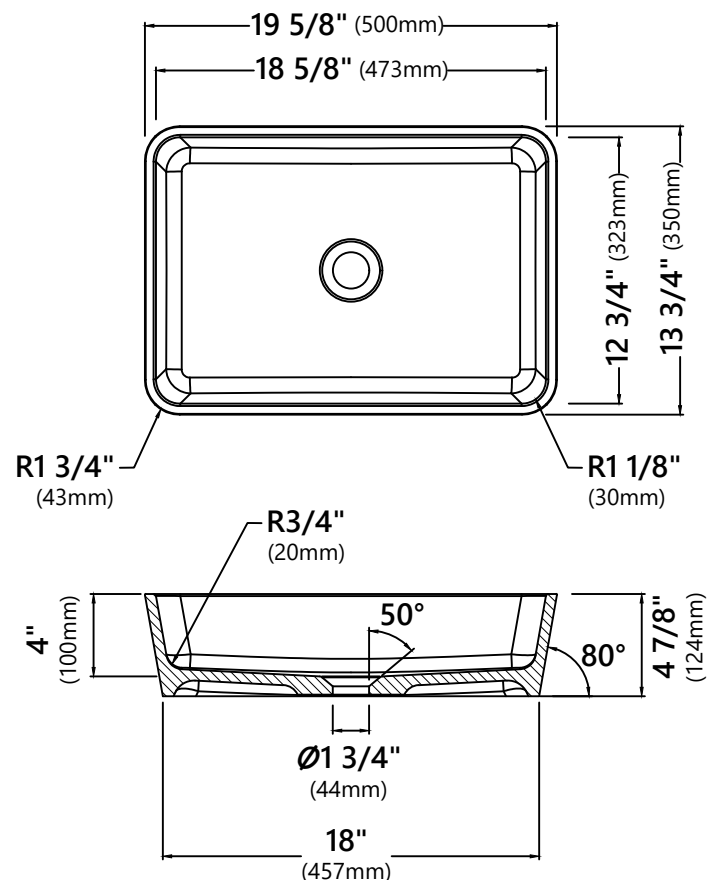
Optional Accessories

- Pop-Up Drain PU-10
- Grid Drain PU-12

CODES/STANDARDS:

Product Certification

cUPC
ADA



NOTE: Each sink may have a 3% dimension tolerance. Please measure the sink prior to installation.

Warranty

Kraus Limited Lifetime Warranty

see website for details www.kraususa.com