

KSU-8MW

Composite Bathroom Sink

Sink Dimensions

Overall Dimensions: 21 5/8" x 14 1/8" x 4 3/4"

Bowl Dimensions: 19 1/4" x 12 5/8"

Sink Depth: 4"

Features

- Composite Solid Surface
- Rectangular Undermount Sink
- 1 3/4" Drain Hole Size
- Without Overflow

Available Colors

- Matte White

Accessories Included

- Sponge
- Buffing Paper
- Mounting Hardware
- Cut Out Template

Optional Accessories

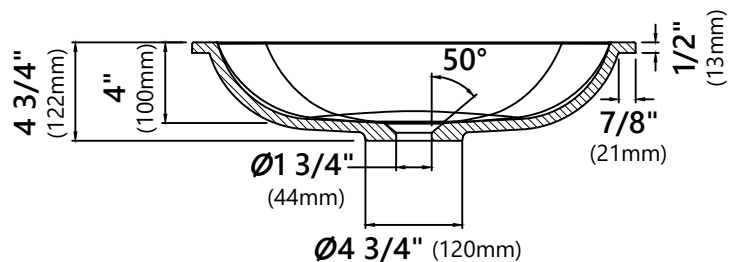
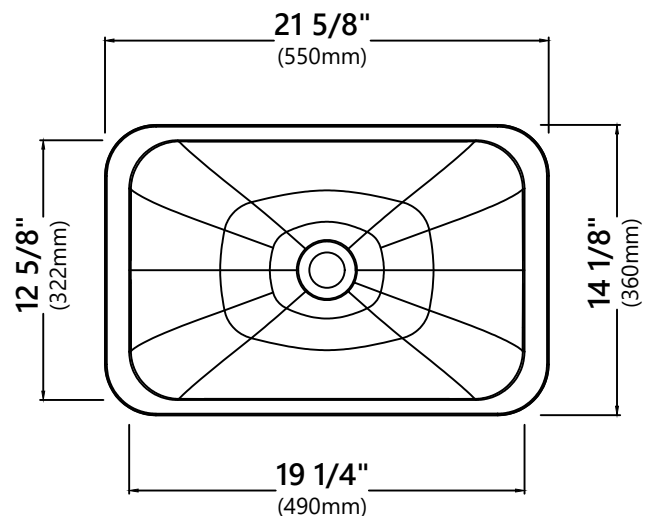
- Pop-Up Drain PU-10
- Grid Drain PU-12

CODES/STANDARDS:

Product Certification

cUPC

ADA



NOTE: Each sink may have a 3% dimension tolerance. Please measure the sink prior to installation.

Warranty

Kraus Limited Lifetime Warranty

see website for details www.kraususa.com