

## KPF-3121

### Transitional Bridge Pull Down Kitchen Faucet

#### Faucet Dimensions

Overall Height: 16"  
 Spout Height: 7 3/4"  
 Spout Reach: 9 3/8"

#### Features

- Pull Down Bridge Faucet
- Brass Construction
- Lead Free Brass Waterway
- 360° Swivel Spout
- Flow Rate: 1.8 gpm (6.8L/min) @ 60 psi
- 3 Hole Installation
- Three Function Sprayhead - Spray/Stream/Sweep
- Quarter Turn Ceramic Disk Cartridge
- 24" Integrated Nylon Waterlines
- Dome Shaped Screen Washer
- Quick Connect Sprayer Hose
- 11 3/4" Hose Length
- Connections 3/8" Compression
- Max Deck Thickness: 2 1/2"
- TPI of aerator in the Sprayer - M20 x 1

#### Accessories Included

- Weight

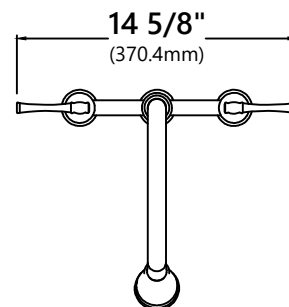
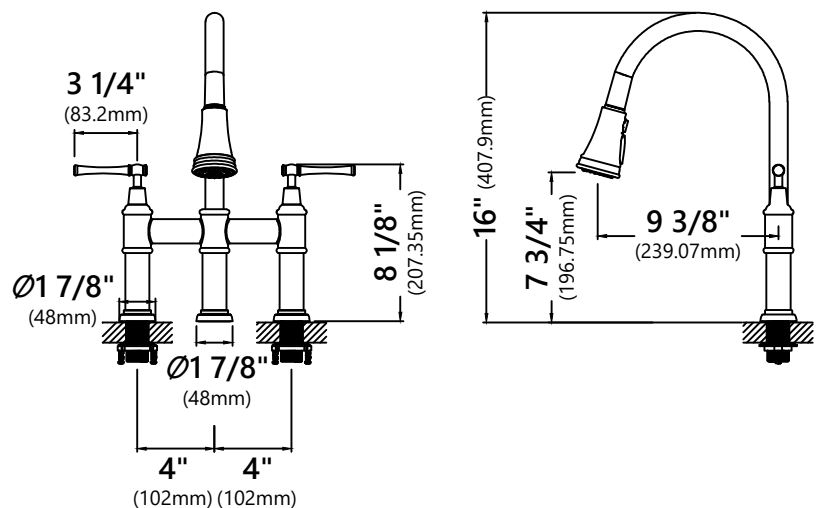
#### Available Finishes

- Spot Free Stainless Steel
- Matte Black
- Brushed Gold

#### CODES/STANDARDS:

##### Product Certification

cUPC (ASME A112.18.1/CSA B125.1)  
 NSF/ANSI Standard 61 and 372 certified by IAPMO  
 CAL GREEN, CEC, DOE



**NOTE:** Some Kitchen Faucets that do not have a pull out or pull down sprayer may be connected to a portable dishwasher. Pull out and pull down faucets should never be connected to portable dishwashers because potential pressure fluctuations during washing cycles cause hose ruptures or leaks.

#### Warranty

Kraus Limited Lifetime Warranty  
 see website for details [www.kraususa.com](http://www.kraususa.com)

## FF-102

### Transitional Drinking Water Filtration Faucet

#### Faucet Dimensions

Overall Height: 10 3/8"  
 Spout Height: 8 3/8"  
 Spout Reach: 4 1/2"

#### Features

- Filter Faucet
- Brass Construction
- Lead Free Brass Waterway
- Flow Rate: 1.0 gpm (3.79L/min) @ 60 psi
- Stream Function
- Quarter Turn Ceramic Disk Cartridge
- 3/8" Push In Water Supply Connection
- Max Deck Thickness: 3 1/16"
- Fits Most Under-Counter Drinking Water Systems

#### Accessories Included

- Hex Wrench
- 1/4" Push In Water Supply Connection

#### Available Finishes

- Spot Free Stainless Steel
- Matte Black
- Brushed Gold

#### CODES/STANDARDS:

##### Product Certification

cUPC (ASME A112.18.1/CSA B125.1)  
 NSF/ANSI Standard 61 and 372 certified by IAPMO  
 CAL GREEN, CEC, DOE, ADA

**NOTE:** Some Kitchen Faucets that do not have a pull out or pull down sprayer may be connected to a portable dishwasher. Pull out and pull down faucets should never be connected to portable dishwashers because potential pressure fluctuations during washing cycles cause hose ruptures or leaks.

#### Warranty

Kraus Limited Lifetime Warranty

see website for details [www.kraususa.com](http://www.kraususa.com)

