

KP1TS15S-1

15 Inch Drop-In / Top Mount Single Bowl
Stainless Steel Kitchen Sink

Kräus[®]

SPECIFICATION SHEET

Sink Dimensions

Overall Dimensions: 15" x 20"

Bowl Dimensions: 13" x 16"

Sink Depth: 9"

Features

- 16 Gauge Stainless Steel Construction
- Top Mount Installation
- Single Bowl Sink
- Required Minimum Cabinet Size: 18" Left to Right, 22" Front to Back
- Rear Center-Set Drain
- 3 1/2" Drain Opening
- NoiseDefend Undercoating and Sound Dampening Pads

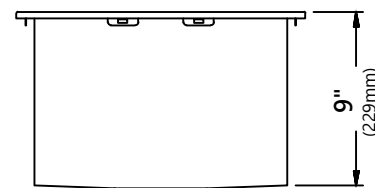
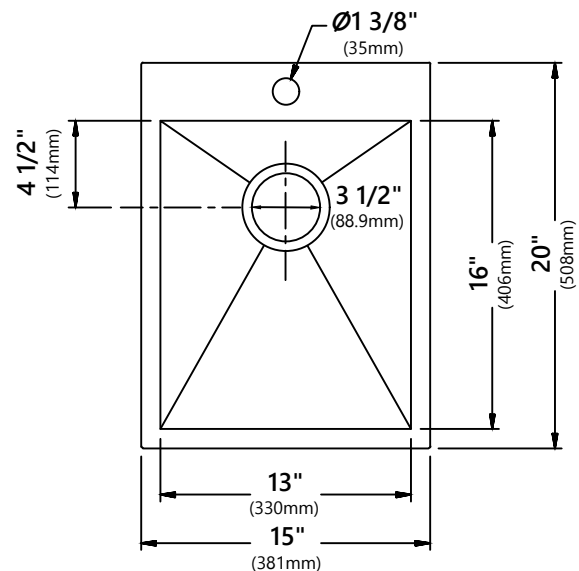
Accessories Included

- Strainer ST-1
- Cover Cap STC-2
- Bottom Grid KBG-P1316
- Cut-Out Template
- Silicone Mitt KSM-1BLACK
- Silicone Trivet KST-1BLACK
- Mounting Hardware
- Towel

CODES/STANDARDS:

Product Certification

cUPC (ASME A112.19.3/CSA B45.4)



Warranty

Kraus Limited Lifetime Warranty

see website for details www.kraususa.com