

# KHU24L

## 24 Inch Undermount Single Bowl Laundry and Utility Sink

# Kräus<sup>®</sup>

SPECIFICATION SHEET

### Sink Dimensions

Overall Dimensions: 24" x 18 1/2"

Bowl Dimensions: 22 1/2" x 17"

Sink Depth: 12"

### Features

- 18 Gauge Stainless Steel Construction
- Single Bowl Undermount Handmade Laundry Sink
- Required Minimum Cabinet Size: 27" Left to Right, 24" Front to Back
- Rear Center-Set Drain
- 3 1/2" Drain Opening
- NoiseDefend Undercoating and Sound Dampening Pads

### Accessories Included

- Strainer ST-3
- Cut-Out Template
- Mounting Hardware
- Towel

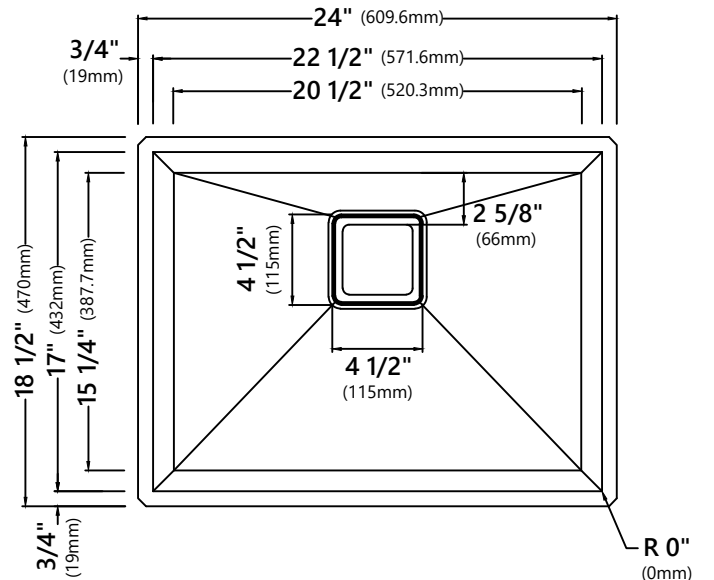
### Optional Accessories

- Garbage Disposal Adapter GDA-1

### CODES/STANDARDS:

#### Product Certification

cUPC (ASME A112.19.3/CSA B45.4)



### Warranty

Kraus Limited Lifetime Warranty

see website for details [www.kraususa.com](http://www.kraususa.com)