

KGTW12-18

18 Inch Workstation Single Bowl
Granite Top Mount Kitchen Sink

Kräus[®]

SPECIFICATION SHEET

Sink Dimensions

Overall Dimensions: 18" x 22"

Bowl Dimensions: 15" x 16"

Sink Depth: 9 5/8"

Features

- Granite Composite Construction
- Top Mount Single Bowl Sink
- Required Minimum Cabinet Size: 21" Left to Right, 24" Front to Back
- Rear Center-Set Drain
- 3 1/2" Drain Opening

Accessories Included

- Sink Strainer ST-4
- Cutting Board KCB-WS03AC

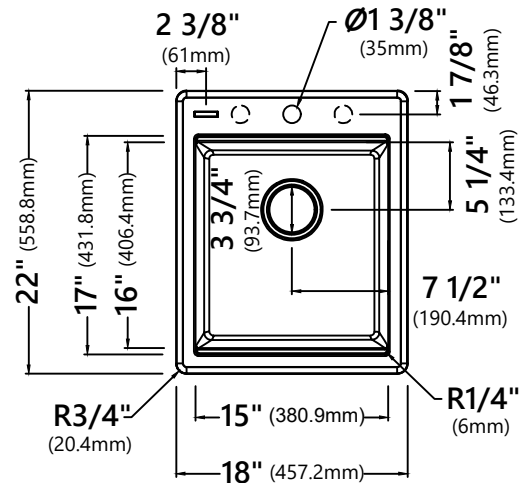
Available Finishes

- Metallic Black
- Metallic Grey
- Metallic Brown
- White

CODES/STANDARDS:

Product Certification

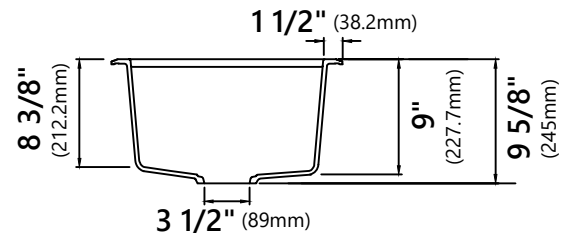
cUPC



NOTE: 1 3/8" (35mm) diameter faucet holes are pre-scored. The installer can knock out up to 3 faucet holes.

NOTE: Although Kraus granite and quartz composite sinks are highly heat resistant, placing hot items right from the stove or oven directly into the sink may cause surface discoloration. Consider using a trivet or rolling mat for extremely hot items to avoid potential heat damage.

NOTE: It is not recommended to install this sink with a negative reveal. Doing so will prohibit the use of any workstation accessories as they will not fit.



Warranty

Kraus Limited Lifetime Warranty

see website for details www.kraususa.com