

# ALL-IN-ONE KITCHEN SET / KCA-1102

Dual Mount Single Bowl Stainless Steel Kitchen Sink, Commercial  
Pull-Down Faucet in Spot Free Stainless Steel Finish,  
Stainless Steel Grid, Stainless Steel Strainer

# Kräus®

SPECIFICATION SHEET

## INCLUDED WITH COMBO

- Faucet KPF-1610SFS
- Kitchen Sink KHT400-33
- Strainer ST-1
- Grid Model No. KBG-T400-33
- Installation Template
- Mounting Hardware

## SINK FEATURES

- 18 Gauge Stainless Steel Construction
- Dual Mount Single Bowl Sink
- Required Minimum Cabinet Size: 36"
- 3 1/2" Drain Opening

## FAUCET FEATURES

- Solid Brass Construction
- Single Hole Mounting
- 180° Swivel Spout
- Pull Down
- 1.8gpm Flow Rate
- Spray and Stream Functions

## GRID FEATURES

- Commercial grade Stainless Steel Construction
- Protects bottom of sink from daily wear and tear
- Rubber feet provide additional protection

## STRAINER FEATURES

- Premium Stainless Steel construction
- Fits Standard 3 1/2" or 4" Drain Opening
- Open/Close Stopper Prevents Debris from Clogging Drain Pipe

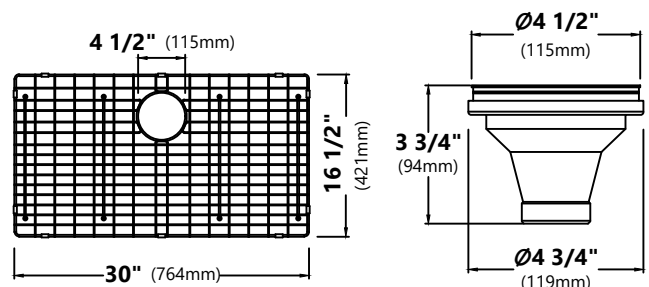
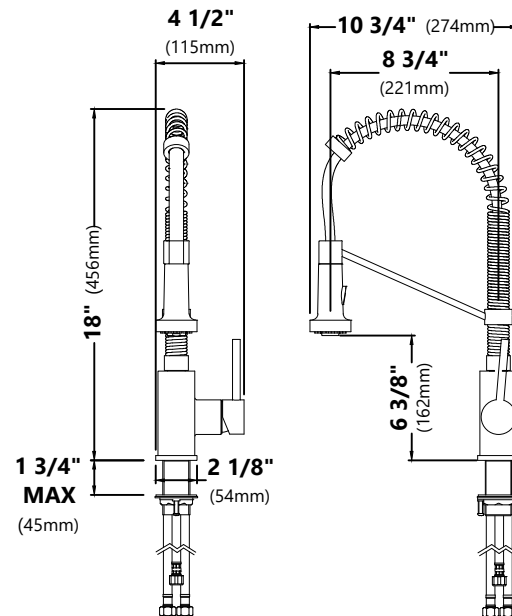
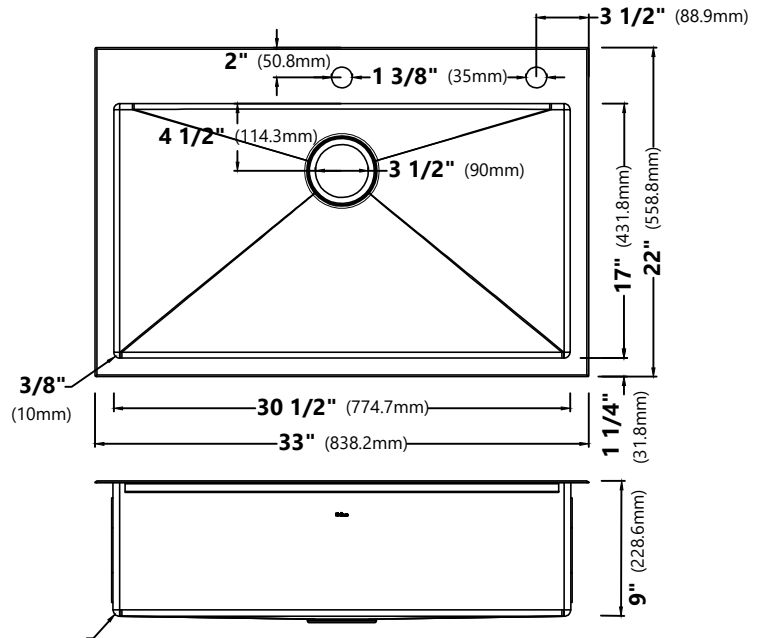
## CODES/STANDARDS:

### Sink Certification

cUPC (ASME A112.19.3/CSA B45.4)

### Faucet Certification

cUPC, ASME A112.18.1/CSA B125.1, NSF/ANSI Standard 61 certified by IAPMO, NSF/ANSI Standard 372 certified by IAPMO, MASS, CEC, DOE, ADA



Kraus Lifetime Limited Warranty:  
See website for details [www.kraususa.com](http://www.kraususa.com)

Kraus USA Customer Service  
1.800.775.0703 | [customerservice@kraususa.com](mailto:customerservice@kraususa.com)

REV. March 24, 2021