

# KBU32

## 32 Inch Undermount Double Bowl Stainless Steel Kitchen Sink

### Sink Dimensions

Overall Dimensions: 32 1/4" x 18 7/8"  
Bowl Dimensions: 14 1/2" x 16 7/8"  
Sink Depth: 8 1/2"

### Features

- 16 Gauge Stainless Steel Construction
- Double Bowl Undermount Pressed Sink
- Required Minimum Cabinet Size: Left to Right 36", Front to Back 24"
- Center Set Drains
- 3 1/2" Drain Opening
- Low Center Divider
- NoiseDefend Undercoating and Sound Dampening Pads

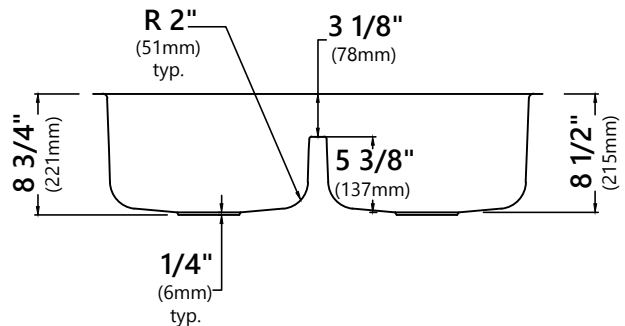
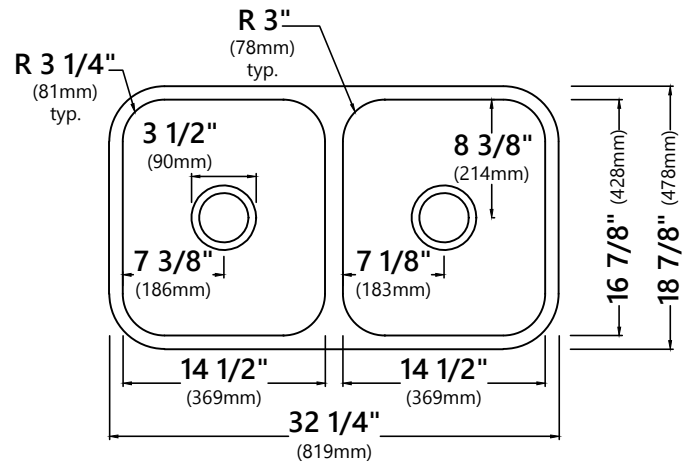
### Accessories Included

- Strainer ST-1 x2
- Bottom Grid KBG-32 x2
- Cut-Out Template
- Mounting Hardware

### CODES/STANDARDS:

#### Product Certification

cUPC (ASME A112.19.3/CSA B45.4)



### Warranty

Kraus Limited Lifetime Warranty  
see website for details [www.kraususa.com](http://www.kraususa.com)