

KBU25

32 Inch Undermount Double Bowl Stainless Steel Kitchen Sink

Kräus[®]

SPECIFICATION SHEET

Sink Dimensions

Overall Dimensions: 32 3/8" x 20 1/2"

Larger Bowl Dimensions: 17 3/4" x 18 1/2"

Smaller Bowl Dimensions: 11 3/8" x 15 3/8"

Sink Depth: 8 3/4"

Features

- 16 Gauge Stainless Steel Construction
- Double Bowl Undermount Pressed Sink
- Required Minimum Cabinet Size: 36" Left to Right, 24" Front to Back
- Rear Center-Set Drains
- 3 1/2" Drain Opening
- NoiseDefend Undercoating and Sound Dampening Pads

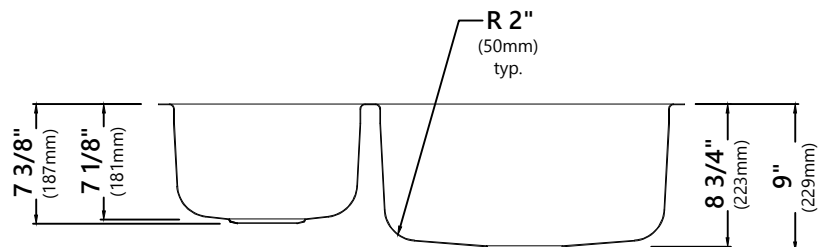
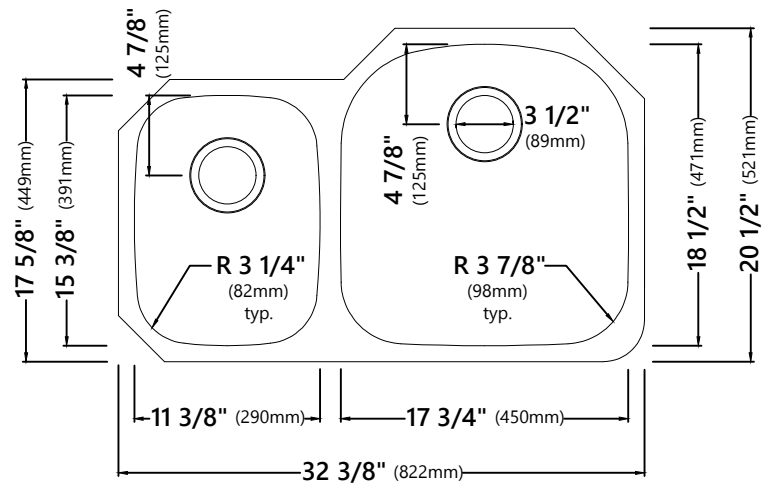
Accessories Included

- Basket Strainer BST-1 & ST-1
- Bottom Grids KBG-25-1 & KBG-25-2
- Cut-Out Template
- Mounting Hardware
- Towel

CODES/STANDARDS:

Product Certification

cUPC (ASME A112.19.3/CSA B45.4)



Warranty

Kraus Limited Lifetime Warranty

see website for details www.kraususa.com

Kraus USA Customer Service

1.800.775.0703 | customerservice@kraususa.com

REV. December 3, 2019