

KBU17

15 Inch Undermount Single Bowl Stainless Steel Kitchen Sink

Kräus[®]

SPECIFICATION SHEET

Sink Dimensions

Overall Dimensions: 15 1/8" x 12 3/4"

Bowl Dimensions: 13 1/8" x 10 3/4"

Sink Depth: 6 7/8"

Features

- 18 Gauge Stainless Steel Construction
- Single Bowl Undermount Bar/Prep Pressed Sink
- Required Minimum Cabinet Size: 18" Left to Right, 24" Front to Back
- Center-Set Drain
- 3 1/2" Drain Opening
- NoiseDefend Undercoating and Sound Dampening Pads

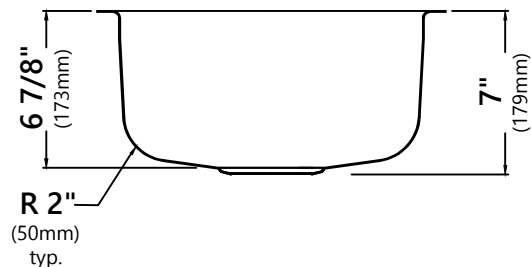
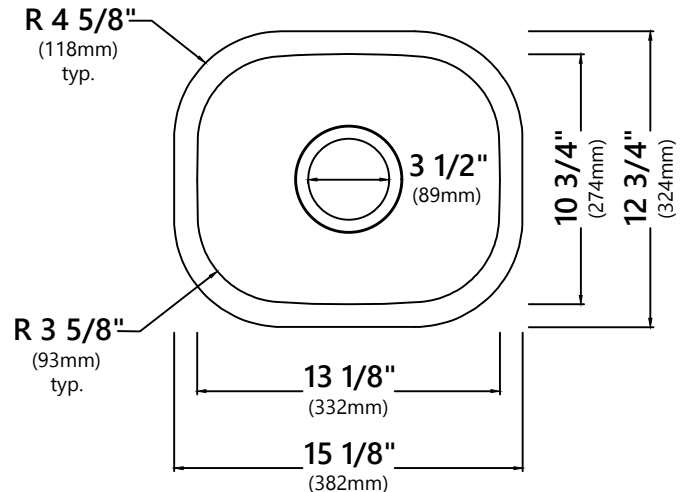
Accessories Included

- Strainer ST-1
- Cut-Out Template
- Mounting Hardware
- Towel

CODES/STANDARDS:

Product Certification

cUPC (ASME A112.19.3/CSA B45.4)



Warranty

Kraus Limited Lifetime Warranty

see website for details www.kraususa.com